

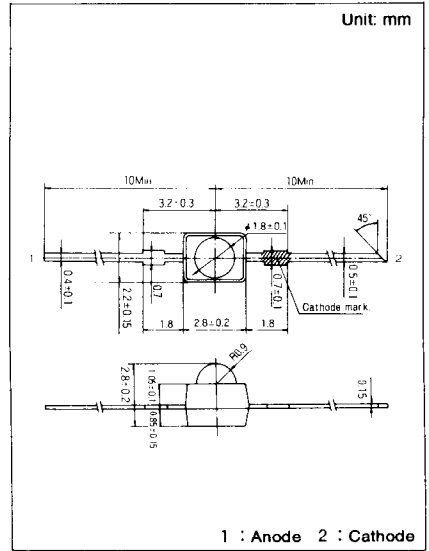
小

形

Small Type

ダブルエンド Double End

Type No. Lighting Color
 LN247RP Red
 LN347GP Green
 LN447YP Amber



絶対最大定格 Absolute Maximum Ratings (Ta=25 °C)

Lighting Color	P _D (mW)	I _F (mA)	I _{FP} (mA)*	V _R (V)	Topr (°C)	Tstg (°C)
Red	70	25	100	4	-25~+85	-30~+100
Green	90	30	100	4	-25~+85	-30~+100
Amber	90	30	100	4	-25~+85	-30~+100

* I_{FP}の条件は, duty 10%, Pulse width 1 msec. The condition of I_{FP} is duty 10%, Pulse width 1 msec

電気的光学的特性 Electro-Optical Characteristics (Ta=25 °C)

Type No.	Lighting Color	Lens Color	I ₀			V _F		λ _P	Δλ	I _F	I _R	
			Typ.	Min.	I _F	Typ.	Max.				I _F	Max.
LN247RP	Red	Red Diffused	0.7	0.25	15	2.2	2.8	700	100	20	10	4
LN347GP	Green	Green Diffused	4.5	1.50	20	2.2	2.8	565	30	20	10	4
LN447YP	Amber	Amber Diffused	4.0	1.00	20	2.2	2.8	590	30	20	10	4
Unit	—	—	mcd	mcd	mA	V	V	nm	nm	mA	μA	V

